

# Nautique™

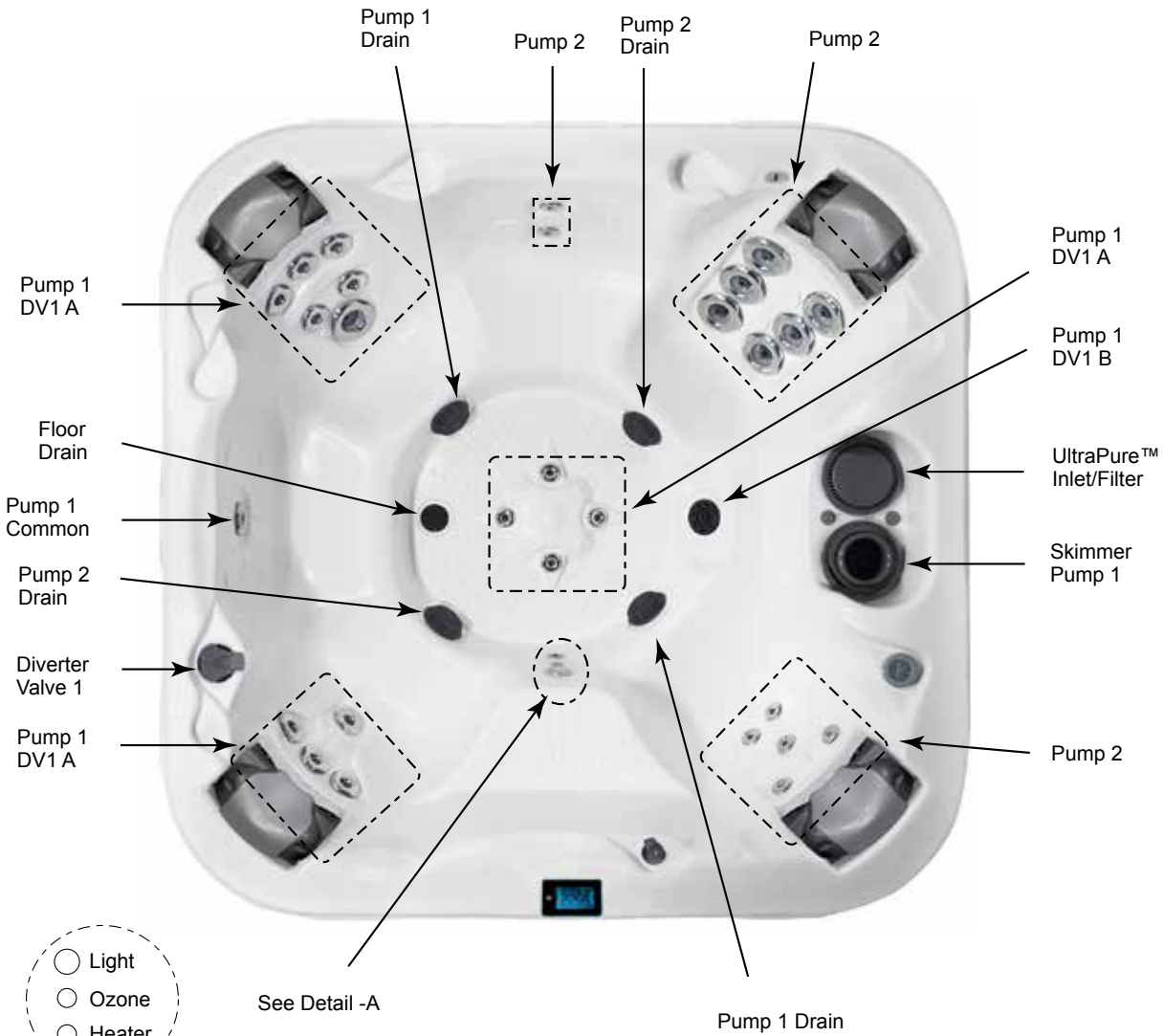
Seating Capacity.....	7 Adults
Dimensions .....	84" x 84" x 36", (213 cm x 213 cm x 91 cm)
Corner Radius .....	16" (41 cm)
Dry Weight.....	725 lbs (329 kg)
Filled Weight (Average Fill) .....	3,430 lbs (1,556 kg)
Water Capacity (Average Fill).....	370 US gallons (1,401 Liters)
Shipping Weight .....	725 lbs (329 kg)
Export Shipping Weight:.....	<b>775 lbs (352 kg)</b>
Electronic Controls .....	D1 SmartHUB™ full color glass touch control panel; access to control jets, temperature, settings and maintenance schedule
Pump 1.....	North America (60 Hz): 2-Speed, 4.0 HP break, 2.5 HP continuous, 48 Frame
Export (50 Hz): .....	<b>1-Speed, 2.0 HP continuous</b>
Pump 2.....	North America (60 Hz): 1-Speed, 3.6 HP break, 2.5 HP continuous, 48 Frame
Export (50 Hz): .....	<b>1-Speed, 2.0 HP continuous</b>
Circulation Pump.....	Yes
Fountain Pump .....	Yes
Filtration (factory default) .....	24/7 Filtration (Purge Cycles 2 x 10 minutes)
Total VCR Jets .....	41
Seat 1 Jets.....	1 Pillow Mini Rotator, 2 Pillow Cluster Shower Directional, 4 Mini Storm Rotator
Seat 2 Jets.....	1 Mini Storm Directional
Seat 3 Jets.....	1 Pillow Mini Rotator, 2 Pillow Cluster Shower Directional, 3 Mini Storm Rotator, 2 Mini Storm Directional, 1 Power Storm Dual Rotator
Seat 4 Jets.....	2 Euro Cluster Storm Directional
Seat 5 Jets.....	1 Pillow Mini Rotator, 2 Pillow Cluster Shower Directional, 4 Power Storm Rotator, 2 Power Storm Directional
Seat 6 Jets.....	1 Pillow Mini Rotator, 2 Pillow Cluster Shower Directional, 2 Euro Cluster Storm Directional, 2 Euro Cluster Storm Rotator
Footwell (7).....	1 Typhoon, 4 Euro Cluster Storm Directional
Massage Selectors .....	1
Special Features .....	Tactile Therapy, Spa Status Light, 2 Flex Therapy Pillow™, Aux Control
Water Management System.....	UltraPure™ Plus System; Two 75 ft filter cartridge; 8" Weir
LED Lighting .....	Liquid FX™
Optional .....	Exterior Lights
Siena™ Cabinet Colors.....	Ashwood, Chestnut, Sandalwood
Acrylic Colors .....	Moonstone, UltraLife, Sunstone, Smoked Marble, UltraLife Gray, Desert Stone
Headrests .....	4 Flex Therapy Pillow™
Water Feature.....	Fountain with independent flow rate (on or off) adjustment; powered by the fountain pump
Heater .....	2.1, 3.4, 5.5 kW
Export (50Hz) .....	<b>2.1, 3.4, 5.5 kW</b>
Electrical Requirements: .....	North America (60 Hz): 240 VAC@30A, 40A or 50A <b>Export (50 Hz): 230 VAC@1x16A, 1x32A, 2x16A, 3x16A or suitably rated circuit breaker to comply with local electrical codes. Certain countries may require dual power inputs</b>
Warranty*.....	North America (60 Hz): Lifetime for UltraLife Shell Surface, 7 Years Acrylic Shell Surface, 5 Years Plumbing, 5 Years Equipment and Controls, 7 Years for Cabinet, 1 Year Water Purification System, 2 Years for Jet Insert, 1 Year for Jet Escutcheon, 2 Years Lights, 1 Year Stereo; <b>Export (50 Hz): 10 Years for UltraLife Shell Surface, 7 Years Acrylic Shell Surface, 5 Years Plumbing, 5 Years Equipment and Controls, 2 Years for Cabinet, 1 Year Water Purification System, 2 Years for Jet Insert, 1 Year for Jet Escutcheon, 2 Years Lights, 1 Year Stereo</b>
Audio System (Optional).....	Fully Integrated Stereo System with Bluetooth capability, 4 premium speakers and a subwoofer
Optional .....	SmartTub®



\*(See Warranty Document for Specific Details)

# Nautique

## Massage Selector Diagram



- Light
  - Ozone
  - Heater
- See Detail -A

- DV1 A = Diverter Valve 1 (A Position Clockwise)
- DV1 B = Diverter Valve 1 (B Position Counterclockwise)
- DV1 C = Diverter Valve 1 (Neutral Position)

Spa Operation Subject to Change without Notice

## Seat Depths

- 1 = 27.00" (68.58 cm)**
- 2 = 25.00" (63.50 cm)**
- 3 = 29.00" (73.66 cm)**
- 4 = 25.50" (64.77 cm)**
- 5 = 29.00" (73.66 cm)**
- 6 = 26.50" (67.31 cm)**

- 7 = 15.50" (39.37 cm)**
- 8 = 31.00" (78.74 cm)**

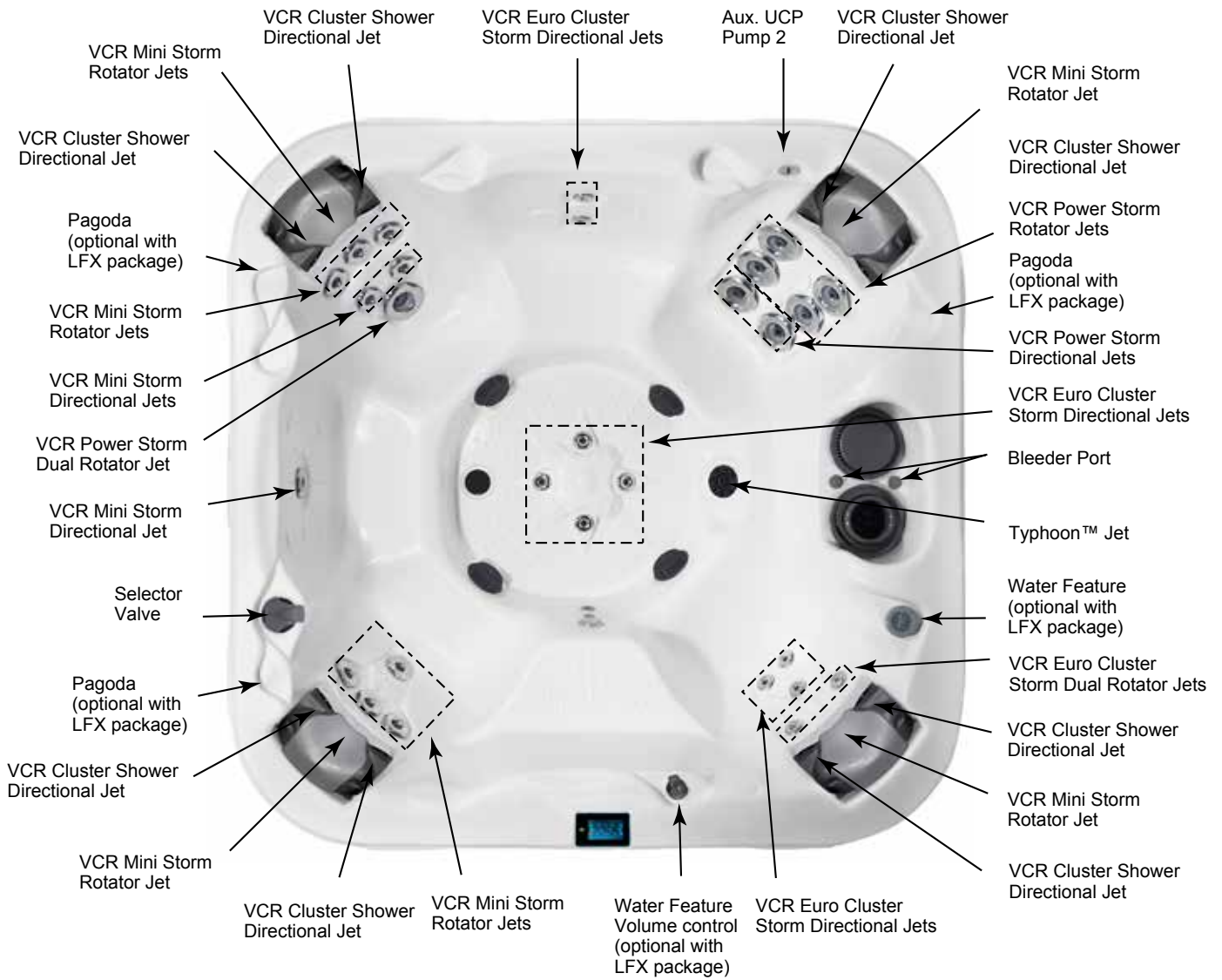
Listed dimensions represent distance from top of acrylic to lowest point in seat. **Tolerance ± 0.5" (1.27 cm).**



Dimensions/Specifications are Subject to Change Without Notice

# Nautique

## Jet Designation



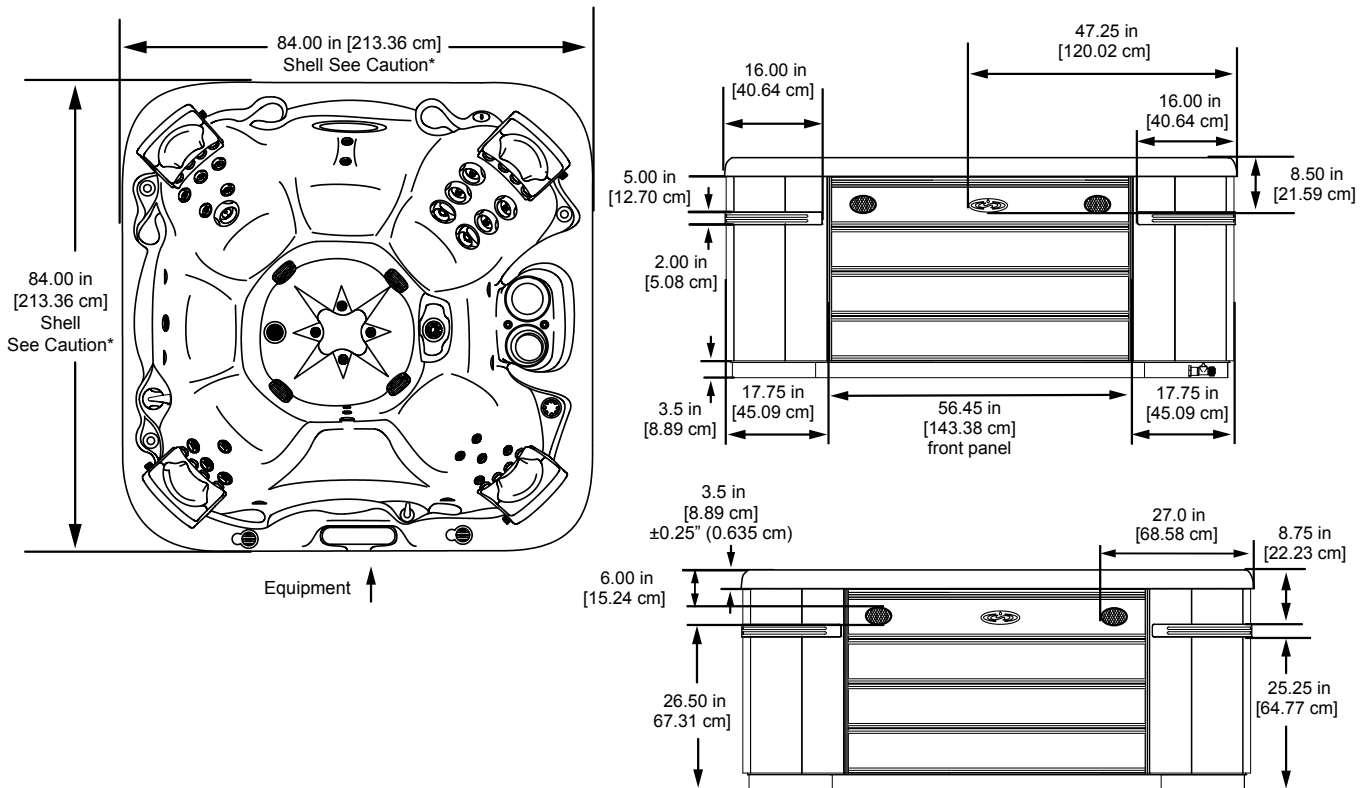
Dimensions/Operation/Specifications are Subject to Change Without Notice

### 41 Total Jets

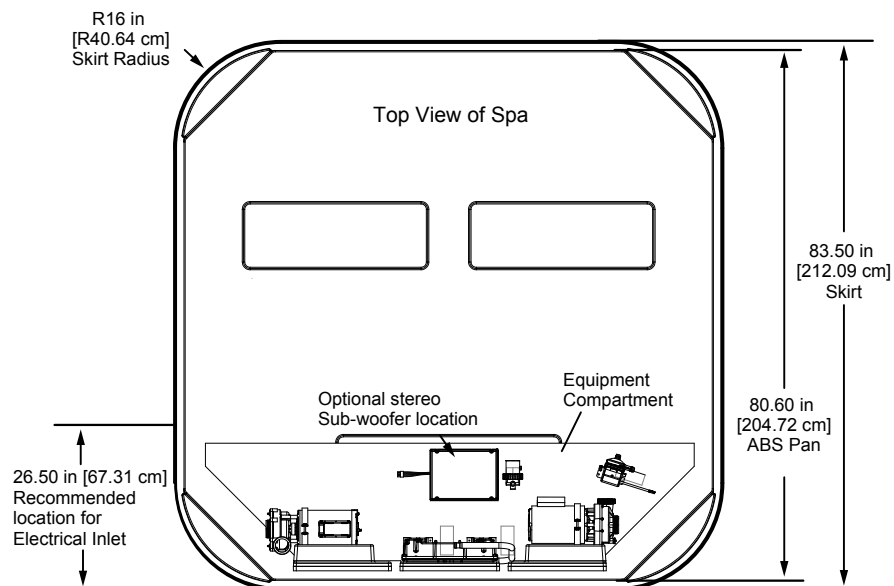


### Total Jets

# Nautique



**STOP** **\*Caution:** Due to manufacturing tolerances there could be some minor differences between the actual spa and the drawing above. **If site planning is critical to such tolerances, be sure to measure your actual spa.**



- Note:
1. Subject to change without notice.
  2. Engineering specs may differ slightly from brochure.
  3. For lifter installation allow 18" (45.7cm) clearances on the backside of the spa.
  4. Alternative cabinets may add significant weight. Ask your dealer for exact details.

Dimensions/Specifications are Subject to Change Without Notice (Tolerance ± 0.5" [1.27 cm]).