


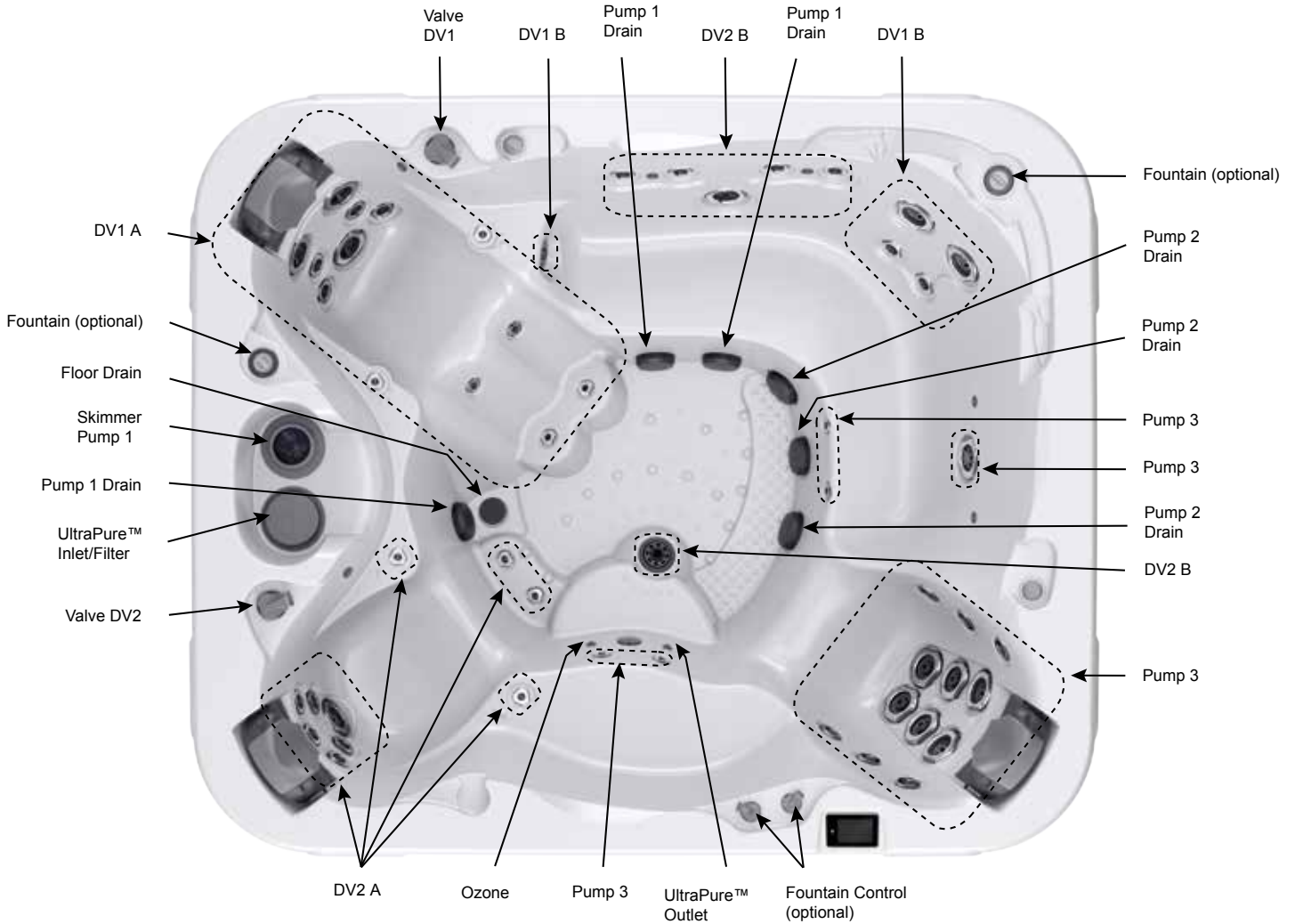
Executive®

Seating Capacity.....	8-9 Adults	
Dimensions	92" x 110" x 41 1/2", (234 cm x 279 cm x 106 cm)	
Corner Radius.....	16" (41 cm)	
Dry Weight.....	966 lbs (438 kg)	
Filled Weight (Average Fill).....	5,903 lbs (2,678 kg)	
Water Capacity (Average Fill).....	592 US gallons (2,241 Liters)	
Shipping Weight.....	1,110 lbs (503 kg)	
Export Shipping Weight:.....	1,160 lbs (526 kg)	
Electronic Controls	D1 SmartHUB™ full color glass touch control panel; access to control jets, temperature, settings and maintenance schedule	
Pump 1.....	North America (60 Hz): 2-Speed, 3.6 HP break, 2.5 HP continuous, 48 Frame	
Export (50 Hz):.....	2-Speed, 2.0 HP continuous	
Pump 2.....	North America (60 Hz): 1-Speed, 3.6 HP break, 2.5 HP continuous, 48 Frame	
Export (50 Hz):.....	1-Speed, 2.0 HP continuous	
Pump 3.....	North America (60 Hz): 1-Speed, 3.6 HP break, 2.5 HP continuous, 48 Frame	
Export (50 Hz):.....	1-Speed, 2.0 HP continuous	
Circulation Pump.....	Yes	
Fountain Pump.....	Yes	
Filtration (factory default).....	24/7 Filtration (Purge Cycles 2 x 10 minutes)	
Total VCR Jets	60	
Seat 1 Jets.....	2 Euro Cluster Storm Dual Rotator (on side of wall)	
Seat 2 Jets.....	1 Pillow Mini Storm Rotator, 2 Pillow Cluster Shower Directional, 5 Mini Storm Rotator, 1 Power Storm Rotator, 2 Euro Cluster Storm Dual Rotator, 2 Euro Cluster Storm Directional	
Seat 3 Jets.....	1 Pillow Mini Storm Rotator, 2 Pillow Cluster Shower Directional, 3 Power Storm Dual Rotator, 4 Mini Storm Rotator, 4 Euro Cluster Storm Dual Rotator, 2 Euro Cluster Storm Directional	
Seat 4 Jets.....	4 Mini Storm Rotator, 1 Power Storm Dual Rotator, 1 Typhoon (side wall)	
Seat 5 Jets.....	2 Power Storm Rotational, 2 Mini Storm Rotator	
Seat 6 Jets.....	1 Power Storm Rotator, 2 Euro Cluster Storm Direct	
Seat 7 Jets.....	1 Pillow Mini Storm Rotator, 2 Pillow Cluster Shower Directional, 2 Power Storm Rotator, 4 Power Storm Directional, 6 Mini Storm Rotator	
Footwell (8).....	1 Typhoon	
Massage Selectors	2	
Special Features	Tactile Therapy, Spa Status Light, 3 ₂ Flex Therapy Pillow™, Aux Control	
Water Management System.....	UltraPure™ Plus System; Two 75 ft filter cartridge; 8" Weir	
LED Lighting.....	Liquid FX™	
Optional.....	Exterior Lights	
Siena™ Cabinet Colors.....	Ashwood, Chestnut, Sandalwood	
Acrylic Colors.....	Moonstone, UltraLife, Sunstone, Smoked Marble, UltraLife Gray, Desert Stone	
Headrests.....	3 Flex Therapy Pillow™	
Water Feature.....	Rainbow Fountain and Babbling Brook with diverter and flow rate valves; powered by the fountain pump	
Heater	2.1, 3.4, 5.5 kW	
Export (50Hz).....	2.1, 3.4, 5.5 kW	
Electrical Requirements:	North America (60 Hz): 240 VAC@40A or 50A Export (50 Hz): 230 VAC@1x32A, 2x16A, 3x16A or suitably rated circuit breaker to comply with local electrical codes. Certain countries may require dual power inputs	
Warranty*.....	North America (60 Hz): Lifetime for UltraLife Shell Surface, 7 Years Acrylic Shell Surface, 5 Years Plumbing, 5 Years Equipment and Controls, 7 Years for Cabinet, 1 Year Water Purification System, 2 Years for Jet Insert, 1 Year for Jet Escutcheon, 2 Years Lights, 1 Year Stereo; Export (50 Hz): 10 Years for UltraLife Shell Surface, 7 Years Acrylic Shell Surface, 5 Years Plumbing, 5 Years Equipment and Controls, 2 Years for Cabinet, 1 Year Water Purification System, 2 Years for Jet Insert, 1 Year for Jet Escutcheon, 2 Years Lights, 1 Year Stereo	
Audio System (Optional).....	Fully Integrated Stereo System with Bluetooth capability, 4 premium speakers and a subwoofer	
Options.....	SmartTub®	

*(See Warranty Document for Specific Details)

Executive

Massage Selector Diagram



DV1 A = Diverter Valve 1 (A position Clockwise)
 DV1 B = Diverter Valve 1 (B Position Counter Clockwise)
 DV2 A = Diverter Valve 2 (A position Clockwise)
 DV2 B = Diverter Valve 2 (B position Counter Clockwise)

Spa Operation Subject to Change without Notice

Seat Depths

- | | |
|------------------------------|-------------------------------|
| 1 = 17.00" (43.18 cm) | 7 = 27.50" (69.85 cm) |
| 2 = 17.00" (43.18 cm) | 8 = 27.33" (69.42 cm) |
| 3 = 27.33" (69.42 cm) | 9 = 29.75" (75.57 cm) |
| 4 = 28.50" (72.39 cm) | 10 = 38.50" (97.79 cm) |
| 5 = 26.00" (66.04 cm) | |
| 6 = 26.20" (66.55 cm) | |

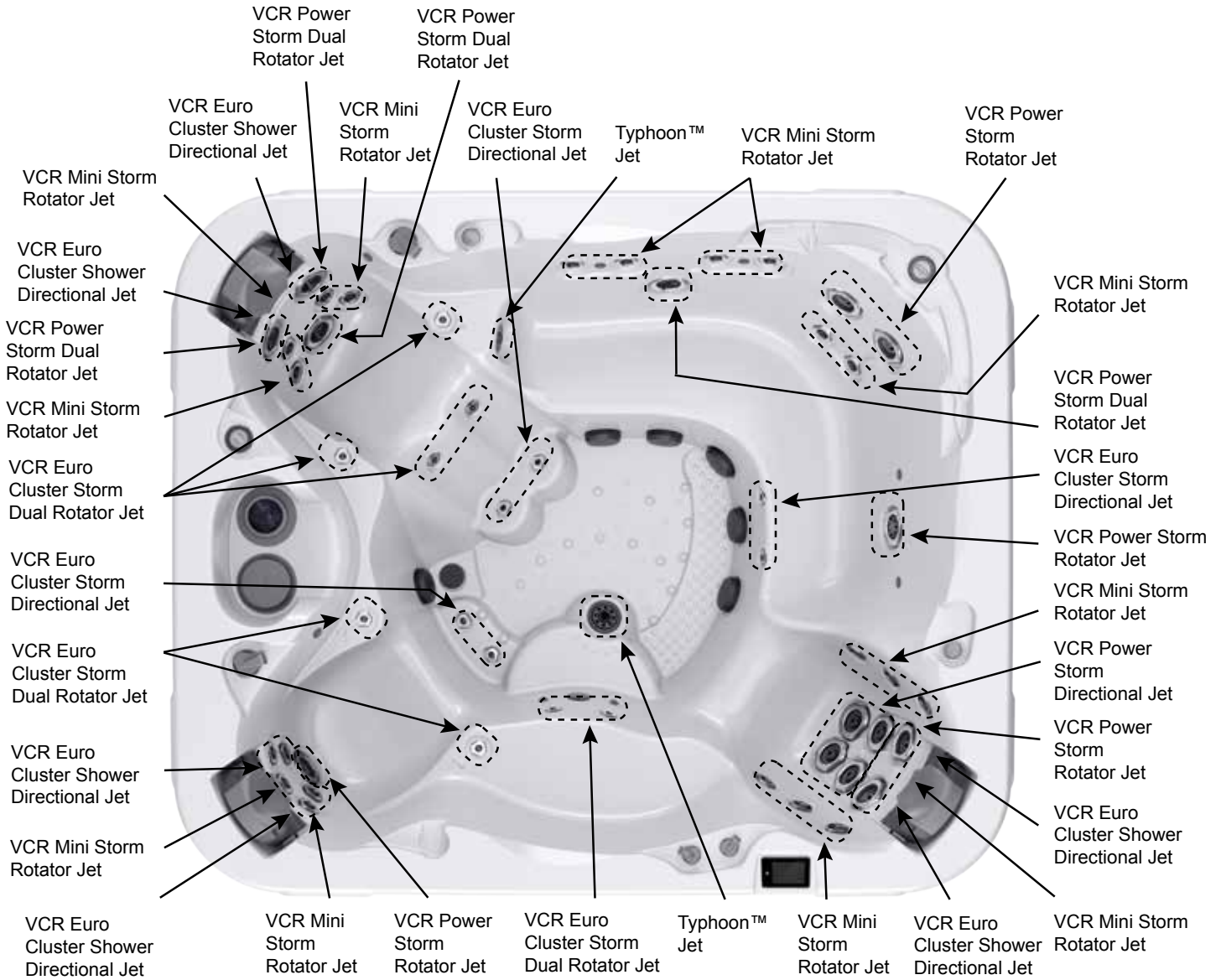
Listed dimensions represent distance from top of acrylic to lowest point in seat. Tolerance $\pm 0.5"$ (1.27 cm).



Dimensions/Specifications are Subject to Change Without Notice

Executive

Jet Designation



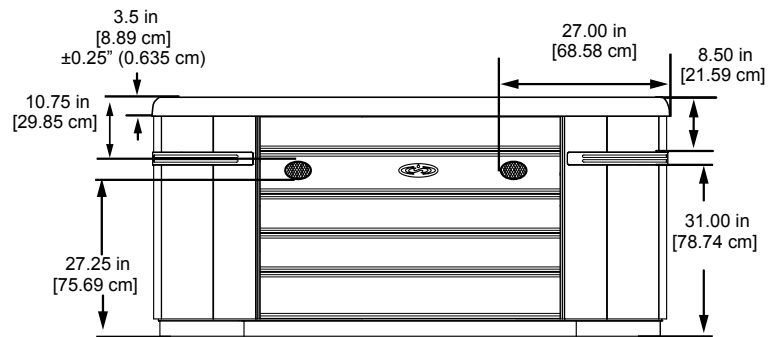
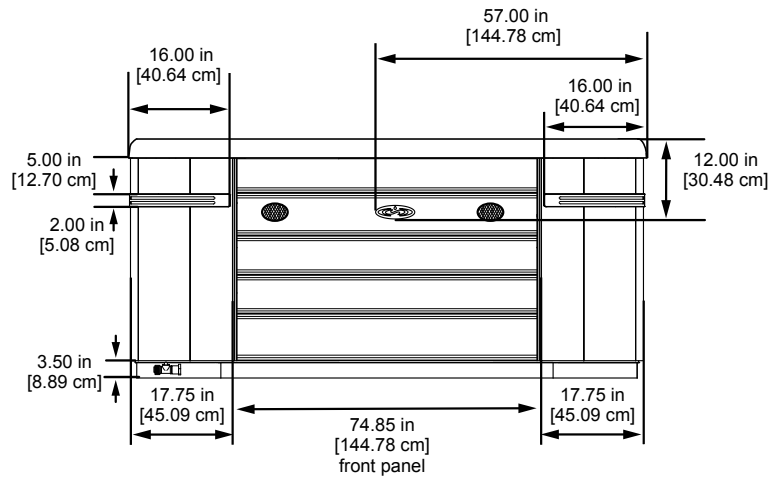
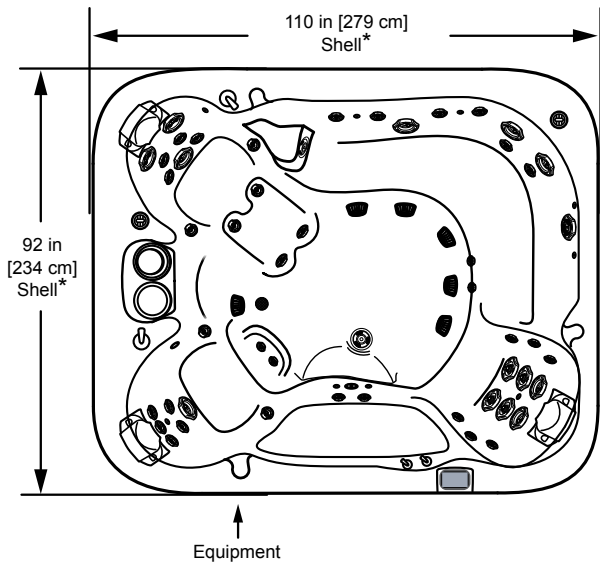
Dimensions/Operation/Specifications are Subject to Change Without Notice

60 Total Jets



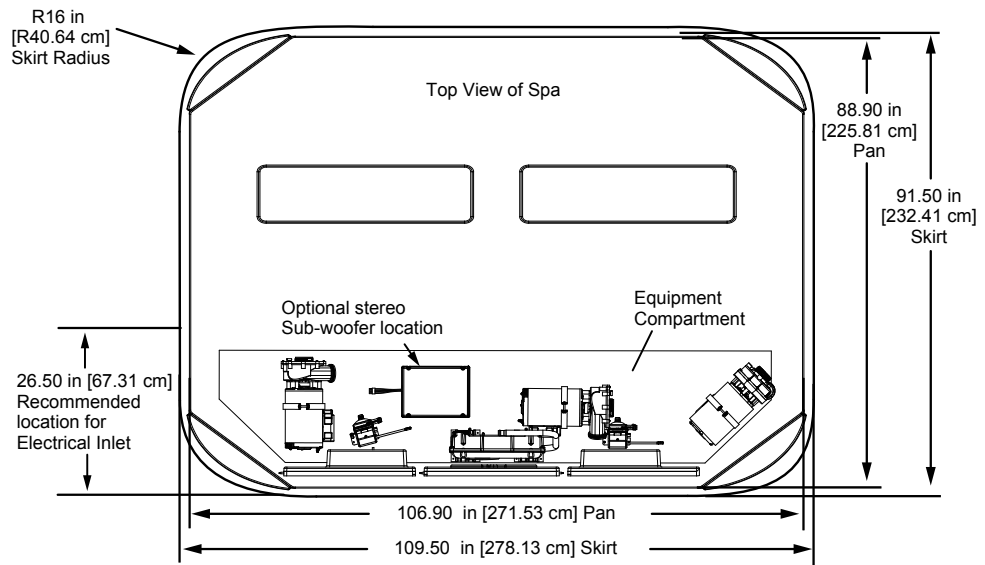
Total Jets

Executive



STOP

***Caution:** Due to manufacturing tolerances there could be some minor differences between the actual spa and the drawing above. **If site planning is critical to such tolerances, be sure to measure your actual spa.**



- Note:
1. Subject to change without notice.
 2. Engineering specs may differ slightly from brochure.
 3. For lifter installation allow 18" (45.7cm) clearances on the backside of the spa.
 4. Alternative cabinets may add significant weight. Ask your dealer for exact details.
 5. This is the approximate location for drilling a hole if you must bring the power line in through the bottom of the spa. Be careful not to puncture a plumbing line inside the equipment compartment (drill from the inside compartment out).

Dimensions/Specifications are Subject to Change Without Notice (Tolerance ± 0.5" [1.27 cm]).