

# Latitude™

<b>Seating Capacity</b> .....	6 Adults
<b>Dimensions</b> .....	91.25" x 91.25" x 36", (232 cm x 232 cm x 91 cm)
<b>Corner Radius</b> .....	9" (23 cm)
<b>Dry Weight</b> .....	710 lbs (322 kg)
<b>Filled Weight (Average Fill)</b> .....	3,923 lbs (1,779 kg)
<b>Water Capacity (Average Fill)</b> .....	385 US gallons (1,457 Liters)
<b>Shipping Weight</b> .....	710 lbs (322 kg)
<b>Export Shipping Weight:.....</b>	<b>760 lbs (345 kg)</b>
<b>Electronic Controls</b> .....	Programmable digital panel with LED readout
<b>Pump 1</b> .....	North America (60 Hz): 2-Speed, 4.0 HP break, 2.5 HP continuous, 48 Frame
<b>Export (50 Hz): .....</b>	<b>2-Speed, 2.0 HP continuous</b>
<b>Pump 2</b> .....	North America (60 Hz): 1-Speed, 4.0 HP break, 2.0 HP continuous, 48 Frame
<b>Export (50 Hz): .....</b>	<b>1-Speed, 2.0 HP continuous</b>
<b>Circulation Pump</b> .....	Optional with ClearZone® Pro package
<b>Filtration (factory default)</b> .....	2 Cycles for a total of 2 hours
<b>Heater</b> .....	4.0 kW
<b>Export (50Hz) .....</b>	<b>3.0 kW</b>
<b>Total @Home Jets</b> .....	44
<b>Seat 1 UltraLounge Jets</b> .....	6 Mini Storm Rotator, 4 Mini Storm Directional, 2 Poly Storm Rifled, 2 Mini Storm Rifled, 2 Pillow Mini Directional
<b>Seat 2 Jets</b> .....	3 Cluster Storm Rifled
<b>Seat 3 Jets</b> .....	5 Mini Storm Rotator, 1 Power Storm Twister, 2 Pillow Mini Directional
<b>Seat 4 Jets</b> .....	1 Power Storm Rifled, 2 Mini Storm Rifled
<b>Seat 5 Jets</b> .....	3 Mini Storm Rotator, 4 Mini Storm Directional, 2 Power Storm Twister
<b>Seat 6 Jets</b> .....	2 Mini Storm Rifled
<b>Footwell (7)</b> .....	3 Mini Storm Directional
<b>Massage Selectors</b> .....	2
<b>Special Features</b> .....	2 Jet Therapy Pillow, Tactile Therapy
<b>Water Management System</b> .....	One 75 ft <sup>3</sup> filter cartridge; 8" Weir
<b>Optional</b> .....	ClearZone® Pro Water Purification System
<b>LED Lighting</b> .....	One multi Color LED footwell light
<b>Optional</b> .....	Crystal FX™
<b>Synthetic Cabinet Colors</b> .....	Adobe Tan, Stoneridge Grey
<b>Terracina™ Cabinet (Optional)</b> .....	Driftwood, Vintage Cedar, Midnight Maple
<b>Acrylic Colors</b> .....	Moonstone, UltraLife, Sunstone, Smoked Marble, UltraLife Gray, Desert Stone
<b>Headrests</b> .....	3 (1 standard; 2 Jet Therapy Pillow)
<b>Water Feature</b> .....	Water fountain with independent flow rate (on or off) adjustment; powered by pump 1
<b>Electrical Requirements:</b> .....	North America (60 Hz): 240 VAC@30A or 40A <b>Export (50 Hz): 230 VAC@1x32A, 2x16A, 3x16A or suitably rated circuit breaker to comply with local electrical codes. Certain countries may require dual power inputs</b>
<b>Warranty*</b> .....	North America (60 Hz): Lifetime for UltraLife Shell Surface, 5 Years Acrylic Shell Surface, 3 Years Plumbing, 3 Years Equipment and Controls, 7 Years Cabinet, 1 Year Water Purification System, 2 Years for Jet Insert, 1 Year for Jet Escutcheon, 1 Year Lights; <b>Export (50 Hz): 10 Years for UltraLife Shell Surface, 5 Years Acrylic Shell Surface, 2 Years Plumbing, 2 Years Equipment and Controls, 2 Years Cabinet, 1 Year Water Purification System, 2 Years for Jet Insert, 1 Year for Jet Escutcheon, 1 Year Lights</b>
<b>Audio System (Optional)</b> .....	N/A

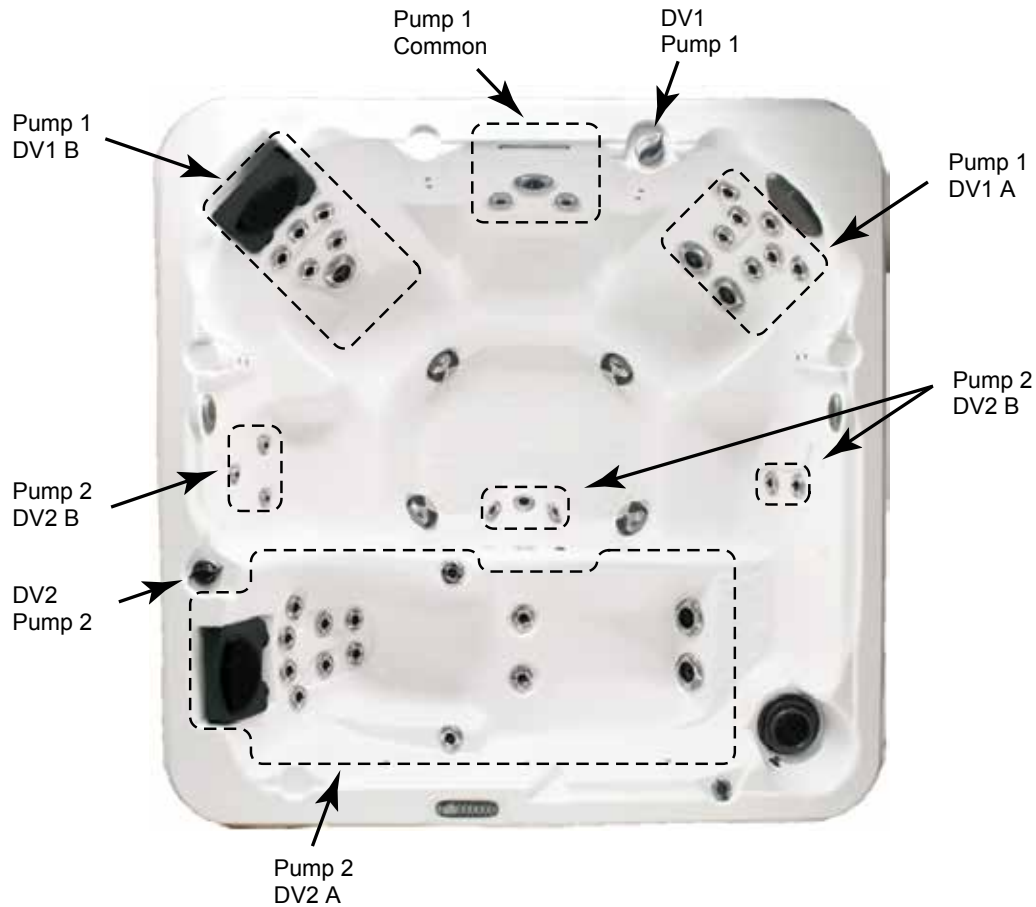


**Optional  
escutcheon jets**

\*(See Warranty Document for Specific Details)

# Latitude

## Massage Selector Diagram



Note: Subject to change without notice.

1. All drains and skimmer tied in common loop

Legend:

- DV1 = Diverter Valve 1
- DV1 A = Diverter Valve 1 (A position clockwise)
- DV1 B = Diverter Valve 1 (B position counter clockwise)
- DV1 C = Diverter Valve 1 (C neutral position)
- DV2 = Diverter Valve 2
- DV2 A = Diverter Valve 2 (A position clockwise)
- DV2 B = Diverter Valve 2 (B position counter clockwise)
- DV2 C = Diverter Valve 2 (C neutral position)

Spa Operation Subject to Change without Notice

## Seat Depths

- 1 = 26.00" (66.04 cm)
- 2 = 21.00" (53.34 cm)
- 3 = 27.00" (68.58 cm)
- 4 = 24.00" (60.96 cm)
- 5 = 29.00" (73.66 cm)
- 6 = 25.00" (63.50 cm)

- 7 = 31.00" (78.74 cm)

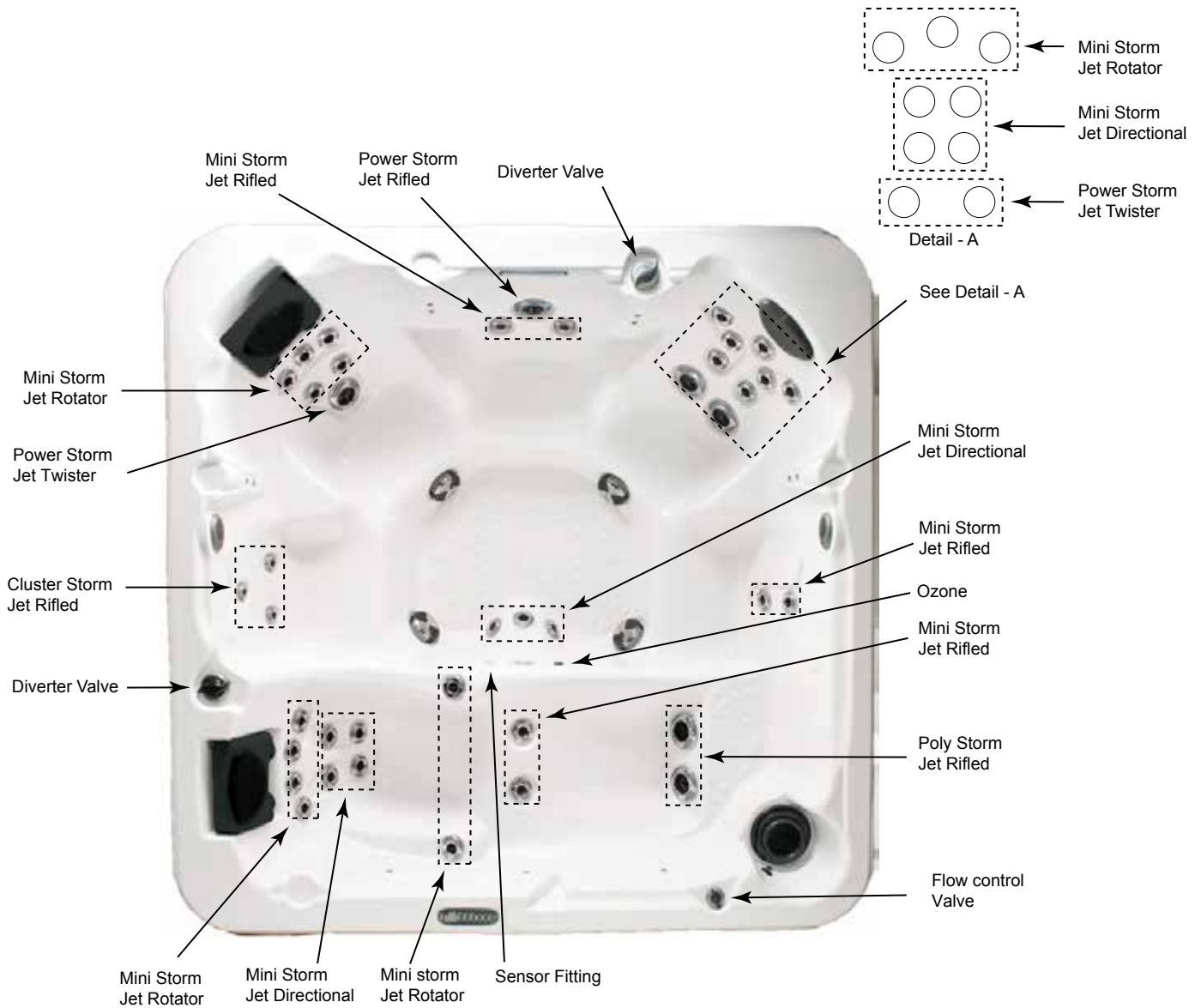
Listed dimensions represent distance from top of acrylic to lowest point in seat. Tolerance  $\pm 0.5"$  (1.27 cm).



Dimensions/Specifications are Subject to Change Without Notice

# Latitude

## Jet Designation



Dimensions/Operation/Specifications are Subject to Change Without Notice

### 44 Total Jets (textured)



Poly Storm Rifled (2)



Cluster Storm Rifled (3)



Mini Storm Rifled (6)



Mini Storm Directional (11)



Mini Storm Rotator (14)



Power Storm Rifled (1)



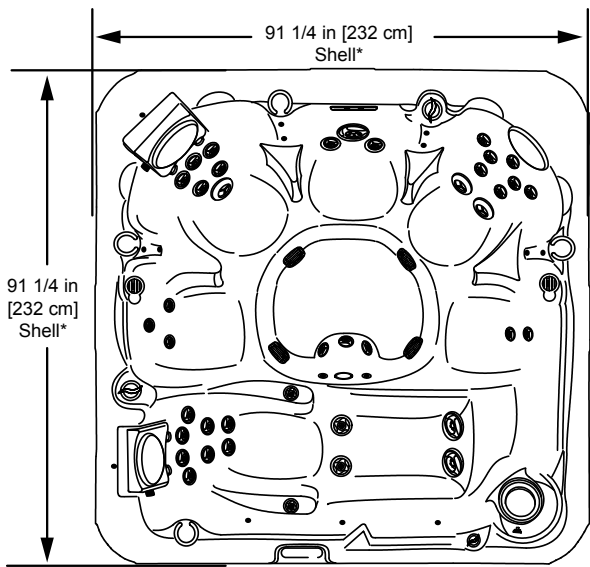
Power Storm Twister (3)



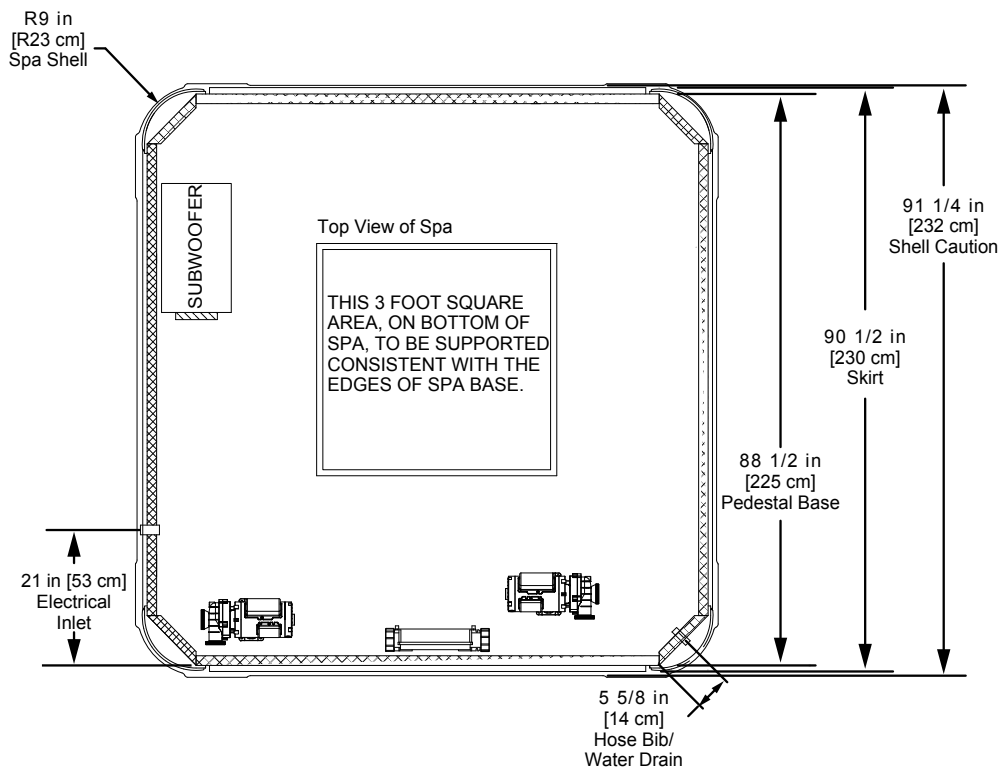
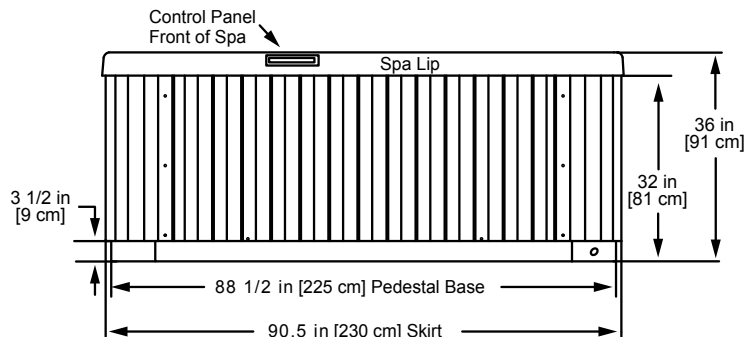
Jet Therapy Pillow Mini Directional (4)

### Total Jets

# Latitude



Front View of Spa



- Note:
1. Subject to change without notice.
  2. Engineering specs may differ slightly from brochure.
  3. For E-Z lifter installation allow 18" clearances on the backside of the spa.
  4. Alternative cabinets may add significant weight. Ask your dealer for exact details.



**\*Caution:**

Due to manufacturing tolerances there could be some minor differences between the actual spa and the drawing above. **If site planning is critical to such tolerances, be sure to measure your actual spa.**

Dimensions/Specifications are Subject to Change Without Notice (Tolerance  $\pm 0.5"$  [1.27 cm]).